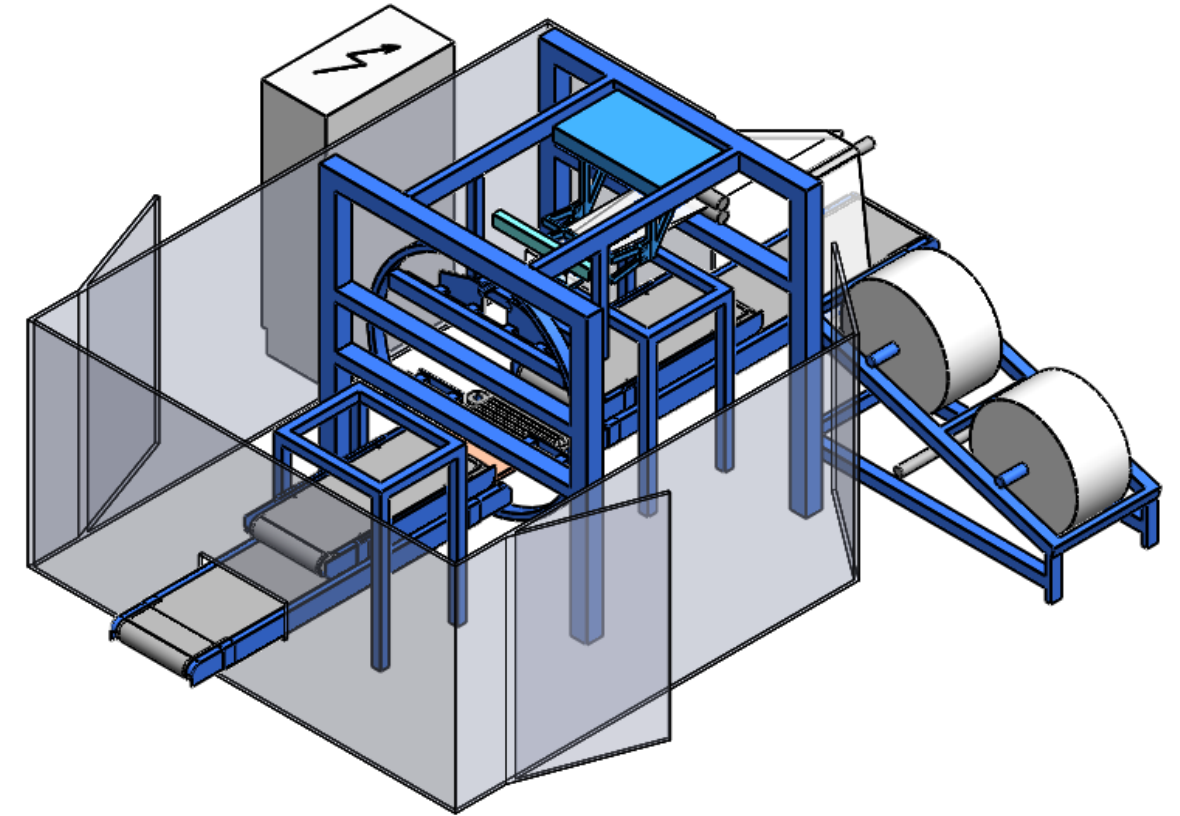



This drawing must neither be passed on to any person not authorized by us to receive it nor be copied or otherwise made use of by anybody without our permission



PRELIMINARY

	<small>SEELEN A/S MORSØGADE 10 DK-6700, DENMARK TELEPHONE + 4575120199 TELEFAX + 4575129184 E-MAIL: INFO@SEELEN.COM HOMEPAGE WWW.SEELEN.COM</small>		Date	Correction
			-	-
<p>EasyOn One dimensional stretch Low plates</p>		Date/init.	28.03.11 UJ	Scale:1:50
		Drawing no.	10900	
				A3